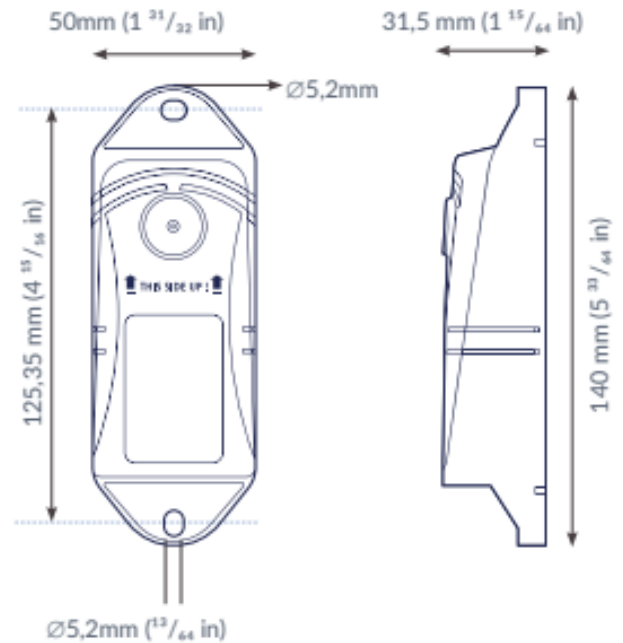


The long-life battery powered WIFI tracker communicating over the NB-IoT network.

- Wi-Fi
- NB-IoT
- Europe and North America
- Data recovery
- Up to 7 years of battery life
- IP69
- IK8



Connectivity

NB-IoT

- Energy efficient transceiver
- Internal omnidirectional antenna
- Bi-directional communication

- NB-IoT bands: Europe and North America
- Data recovery
- OTA firmware upgrade (NB-IoT)

Geolocalization

Wi-Fi

Wi-Fi based geolocalization

Sensing

Internal

- Relocation based on acceleration
- Orientation state

Mechanics & design

Antennas

All antennas are internal

Size

140 x 50 x 31,5 mm (5 23/64 x 1 21/32 x 1 15/64 in) (L W H)

Weight

146 gram (5.15 oz)

Color

Black

Water & dust resistance

IP69

Impact resistance

IK8

Operating temperature

-20°C to 60°C (-4°F to 140°F)

Casing

PC/PBT

Mounting

- Holes Ø5,2mm (¹³/₆₄ in) for rivets
- Screws, rivets, or double-sided tape

Battery

- Up to 7 years of battery life depending on the use case.
- Not replaceable battery pack: Li-SoCl₂, 2xER17505M-L 3,6V 5600mAh

Certifications

Regulatory

CE, UK-CA, FCC, IC, CGF, PTCRB

User interaction

Device activation

Activation with button (push hard for at least 5 sec.)

LED feedback

LED will blink for 10 sec to confirm the activation.

Management services

Diagnostics

- 4 battery levels
- Communication quality

Management

- Remote configuration
- Tracker usage profiles
- Low battery alert

Application services

- Localization
- Geozones

Firmware configuration

Communication service

Data recovery configuration (optional)

Location service

Periodic and relocation parameters

General configuration

- Boot methods
- Time synchronization

Tamper service

Virtual tamper algo configuration

Security

- Device unique encryption keys
- End to end payload encryption Chacha 20
- AES encrypted firmware
- Firmware upgrade allows only signed firmware images