

TRACEUR GPS 1101 BLANC

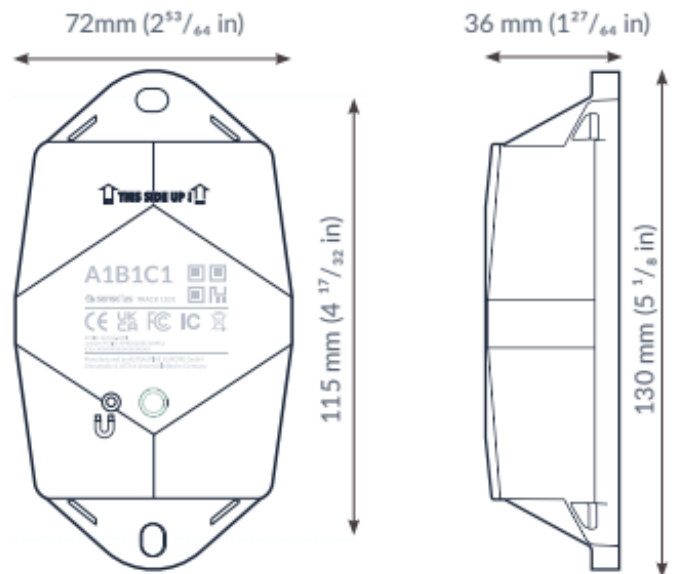
GNSS/Wi-Fi/BLE – NB-IoT

The rugged low-power tracker with long battery life with NB-IoT connectivity and guaranteed data recovery. The tracker provides general localization, zone and high precision. The tracker comes with an onboard temperature sensor and shock detection. Compatible with multiple external environmental sensors. The tracker firmware can be upgraded over the air.

- GNSS
- Wi-Fi scanning
- Bluetooth geobeacon for zone precision
- Quuppa tested for high precision

- NB-IoT
- Europe and North America
- Data recovery

- IP69K & IP68
- IK 09
- Flame retardant



Connectivity

NB-IoT

- Energy efficient transceiver
- Internal omnidirectional antenna
- Bi-directional communication
- NB-IoT bands: Europe/North America
- Data recovery
- OTA firmware upgrade (NB-IoT)

Bluetooth Low Energy (BLE)

Bluetooth Low Energy 5.0

Geolocation

GNSS

Multi GNSS constellation chipset (GPS+GALILEO)

Wi-Fi scanning

- Wi-Fi based geolocation
- Wi-Fi 2.4 GHz

BLE

- Sensolus proximity beacon detection
- Detectable by zone and high precision anchors

Sensing

Internal

- Activity monitoring
- Orientation monitoring
- Virtual tamper detection
- Temperature monitoring
 - range: -20°C till 60°C (-4°F to 140°F)
 - typical accuracy: +/- 0,25°C (+/- 0.45°F)
 - worst case accuracy: +/- 1°C (+/- 1.8°F)
- Configurable shock detection

Environmental BLE sensors

- Temperature, humidity
- Fill level, contact, magnet
- Other BLE sensors can be added

Mounting

- Holes 7x9mm ($\frac{9}{32} \times \frac{23}{64}$ in) for screws or rivets. 115 mm ($\frac{4\frac{17}{32}}$ in) distance between the centers of the mounting holes.
- Instructions for mounting the device are available in the [Sensolus documentation center](#).

Mechanics & design

Antennas

All antennas are internal

Size

130x72x36 mm ($\frac{5\frac{1}{8} \times 2\frac{53}{64} \times 1\frac{27}{64}}$ in)(L W H)

Weight

212 gram (7.6 oz)

Color

White

Casing

- **PBT/PC 29 TM-Z2 FR UV LS**
- Flame retardant
- UV-stabilized

Water & dust resistance

IP68 & IP69K

Impact resistance

IK09

Drop shock and vibration

EN 60068

Operating temperature

-20°C to 60°C (-4°F to 140°F) *

Battery life can be affected when devices function for extended periods at the extremes of this range.

Battery

Standard 3 cell

- User replaceable battery pack (Li-SoCl₂) 10500 mAh
- 2.94 gram (0.1037oz) lithium

Certifications

Regulatory

- CE
- FCC
- IC

Bluetooth 5.0

Declaration ID D068598

Electrical safety

EN-60905-1

Environmental

Drop shock in progress

User interaction

Device activation

Magnetic activation

Synchronize remote settings

- Instant: Magnet activation
- Periodic: No user interaction needed

Management services

Diagnostics

- Battery lifetime prediction
- Detailed energy consumption
- Geolocation diagnostics
- Installation
- Communication quality

Application services

- Localization
- Journeys
- Activity
- Utilization

Firmware configuration

Communication service

- Data recovery strategy
- Communication conditions

General configuration

- Rule engine configuration
- Diagnostic levels
- Boot methods
- Accurate time synchronization

Orientation service

Orientation detection parameters

Activity service

Activity detection parameters

Shock detection

Shock algo detection parameters

Security

- Device unique encryption keys
- End to end payload encryption Chacha 20

LED feedback

Green & red LED feedback on the device

Management

- OTA firmware updates over NB-IoT and BLE
- Remote configuration
- Tracker usage profiles
- External environmental sensors

- Connectable with environmental sensors
- Temperature detection
- Tilt detection
- Shock detection

Location service

- Motion based, context based, periodic or scheduled
- Configurable update rate and journey detection
- Priority sequence (GNSS, Wi-Fi scanning, Bluetooth geo-beacon)
- GNSS fix parameters
- Quuppa certified for high precision
- Indoor detection algo
- Wi-Fi scan strategy
- BLE scan strategy

Environmental sensing

- Polling and aggregation strategy
- Alerts
- Edge processing parameters

Tamper service

Virtual tamper algo configuration

- AES encrypted firmware
- Firmware upgrade allows only signed firmware images